



RAY Lighting  
Unit 15, Rockhaven  
Metz Way, Gloucester  
GL1 1AJ, England



RoHS

IP54

35VDC

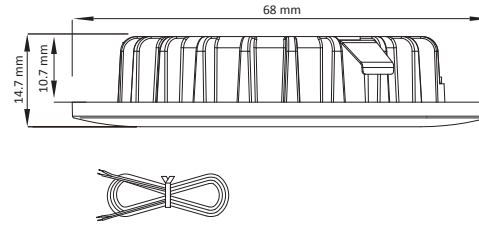
CRI97

### SHOAL DOWN LIGHT

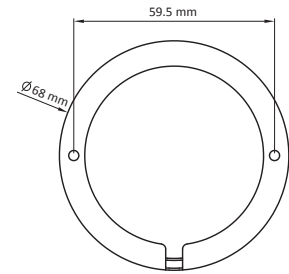
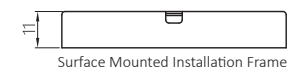
**35VDC Imax:100mA IP54 CRI97 60D**  
Only works with constant current LED driver



### Standard package includes

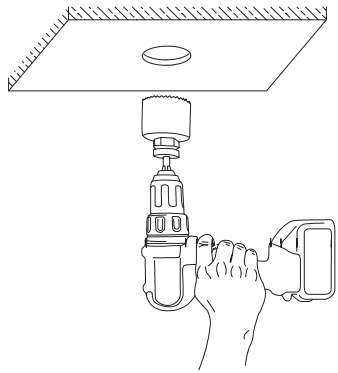


### Optional Accessory

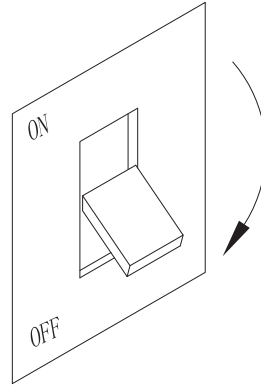


### Recessed Installation

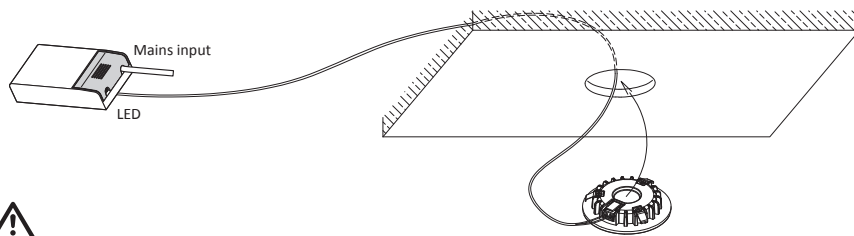
1, Cutting hole on ceiling



2, Shutting down power

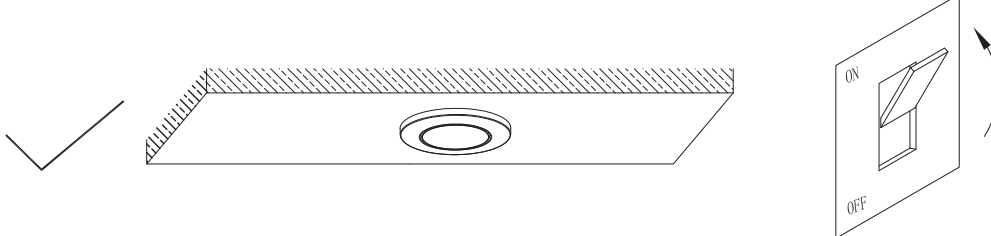


3, Connecting SHOAL to constant current driver (need to buy separately) with flexible cable provided in package



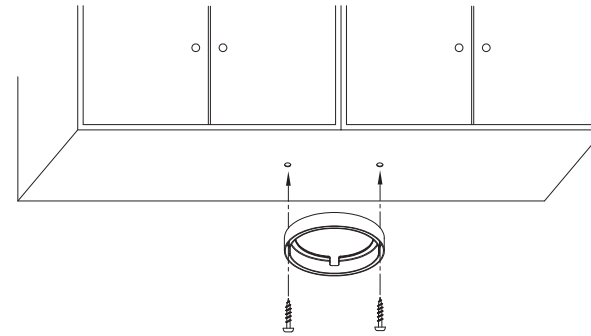
Max allowed input current of Shoal is 100mA, driver current divided by the numbers of units in parallel.

4, Installation finished, now, turn on the light

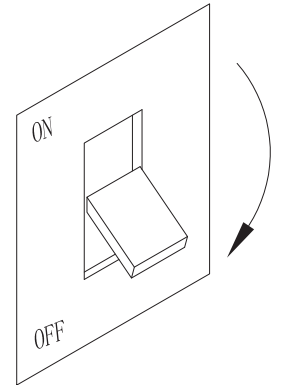


### Surface Mounted Installation

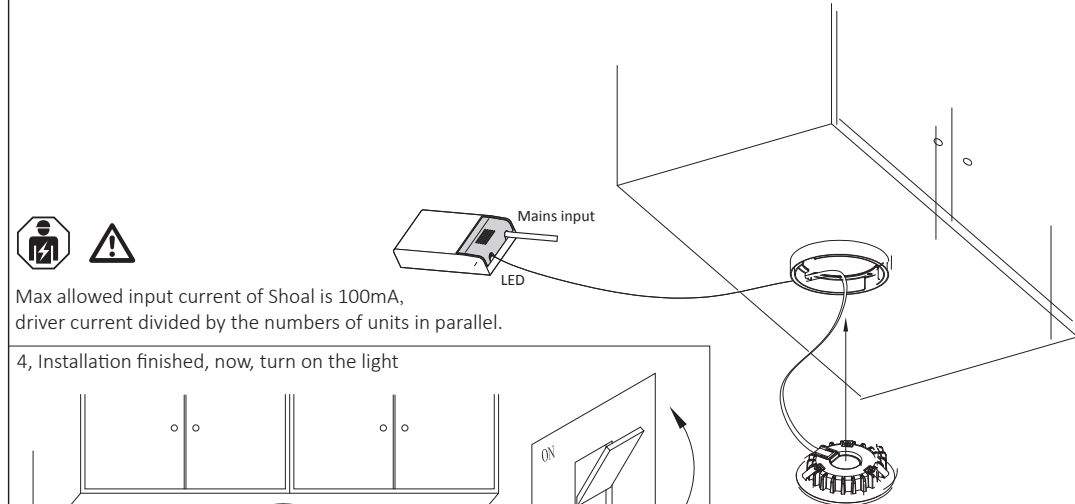
1, Fixing the surfacing mounted frame(need to buy separately) to desired area



2, Shutting down power



3, Connecting SHOAL and constant voltage driver (need to buy separately) with flexibale cable provided in package



Max allowed input current of Shoal is 100mA, driver current divided by the numbers of units in parallel.

4, Installation finished, now, turn on the light

